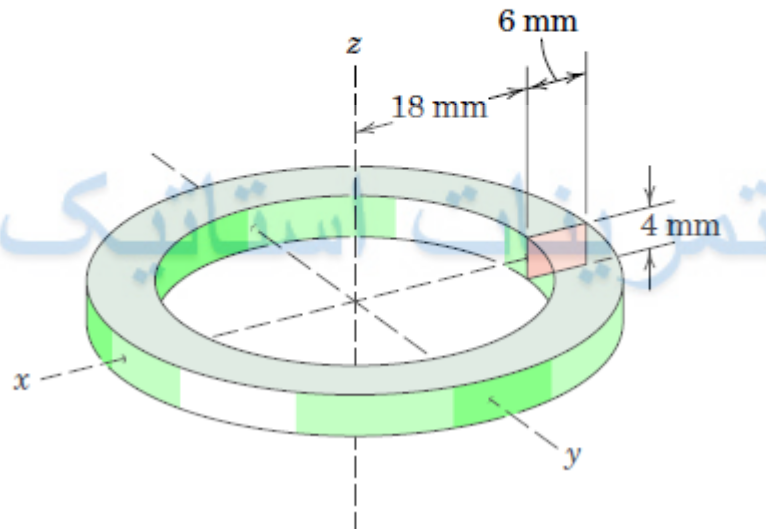


1

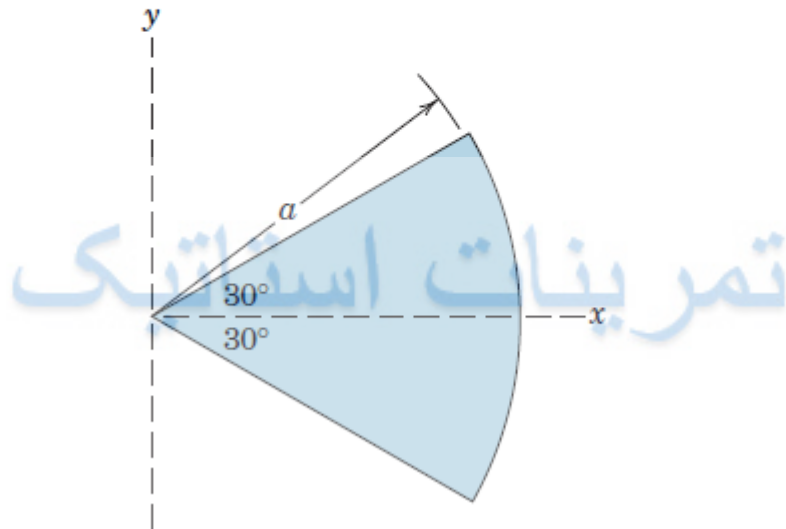
Using the methods of this article, determine the surface area  $A$  and volume  $V$  of the body formed by revolving the rectangular area through  $360^\circ$  about the  $z$ -axis.



دکتر شاطرزاده

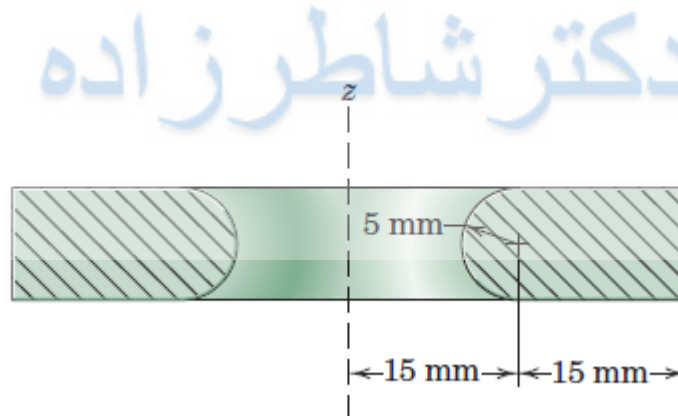
2

The area of the circular sector is rotated through  $180^\circ$  about the  $y$ -axis. Determine the volume of the resulting body, which is a portion of a sphere.



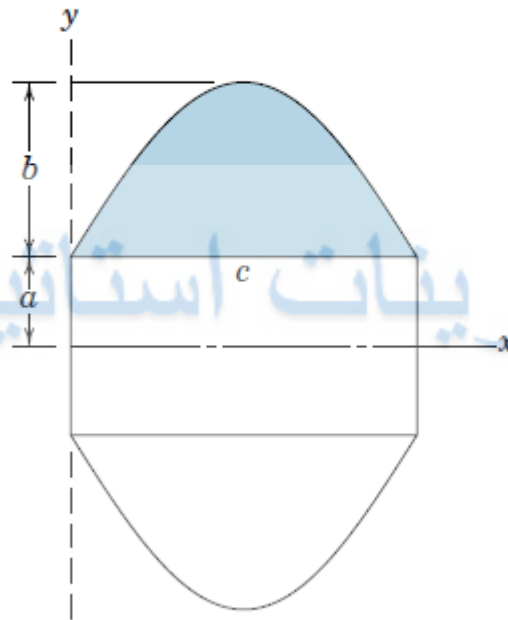
3

The body shown in cross section is a large neoprene washer. Compute its surface area  $A$  and volume  $V$ .



4

The shaded area is bounded by one half-cycle of a sine wave and the axis of the sine wave. Determine the volume generated by completely revolving the area about the  $x$ -axis.



تمرینات استاتیک  
دکتر شاطرزاده